

POLICY AND SERVICES

PRICING: All prices are unassembled, F.O.B. Tennsco Corp's Facility in Dickson, Tennessee. All orders are subject to final acceptance at the Home Office, Dickson, Tennessee. Prices are subject to change without notice. Tennsco has the right to make product design changes at any time. Tennsco's prices do not include sales, use, excise or similar taxes. Consequently, in addition to the prices specified herein, the amount of any present or future sales, use, excise or similar tax applicable to the manufacture, sale, purchase or use of the goods sold hereunder shall be paid by Buyer. In lieu thereof, Buyer shall provide Seller with a tax exemption certificate acceptable to the applicable taxing authorities.

TERMS OF PAYMENT: Terms are Net 30 Days from date of shipment. A service charge of 1¹/₂% per month will be charged for overdue invoices.

MINIMUM ORDERS: Minimum order is \$15.00.

SPECIFICATIONS: Tennsco reserves the right to change any product specifications contained in this price list.

WEIGHT: Weights shown are approximate.

FREIGHT CLAIMS: Claims for shortages must be made in writing to the Home Office within 15 days from receipt of shipment. Claims for damaged or lost material must be filed with the carrier.

PARTIAL SHIPMENTS: Tennsco reserves the right to make delivery in installments unless otherwise expressly stated herein. All such installments shall be separately invoiced and paid for when due, without regard to subsequent deliveries. Delay in delivery of all installments shall not relieve Buyer of its obligations to accept remaining deliveries.

Caution: When you give delivering carrier a clear receipt for a shipment in which there is damaged merchandise or a shortage, the carrier is relieved of further responsibility. Claims for damage or shortage must be filed by you with the delivering carrier. Tennsco will not accept return of merchandise damaged in transit. Your claim is with the delivering carrier.

SHIPPING TIME: Shipping dates are estimates only, based on standard manufacturing times. Tennsco makes every effort to meet shipping date requests, but will not be held liable for missed shipping dates. Once items are shipped, Tennsco is not responsible for delays caused by the delivering carrier. This includes, but is not limited to, delays in installation proceedings due to slow delivery by carrier.

CANCELLATIONS & RETURNS: Orders for "Special" items are not subject to change or cancellation. No return merchandise will be accepted without written consent of the General Office, Dickson, Tennessee. All returned shipments are subject to a handling charge of 25% plus all transportation charges incurred by Tennsco unless Tennsco is at fault. Once production of "Special" items has begun, cancellation of order is subject to Tennsco approval. A 15% surcharge will be assessed to approved cancelled items.

CODE RESTRICTIONS: Local building codes vary. It is the purchaser's responsibility to determine that product installation is in accordance with local requirements.

LIMITED WARRANTY

Tennsco warrants goods purchased hereunder to be free of defects in materials and workmanship for a period of one (1) year from the date of shipment, hereunder. Tennsco's warranty shall not apply in the event goods are damaged as a result of misuse, abuse, neglect, accident, improper application, modification or repair by persons not authorized by Seller, where goods are damaged during shipment. UNLESS CONSIDERED UNENFORCEABLE OR UNLAWFUL UNDER APPLICABLE LAW:

- a. ALL IMPLIED WARRANTIES, INCLUDING BUT NOT LIMITED TO WARRANTIES OR MERCHANTABILITY AND FITNESS FOR A PARTICULAR PURPOSE ARE HEREBY EXCLUDED:
- b. BUYERS REMEDY, IF ANY, FOR ANY DEFECTIVE GOODS SHALL BE LIMITED TO A REFUND BY SELLER OR REPLACEMENT OF THE GOODS AT SELLER'S OPTION, AND SHALL IN NO EVENT INCLUDE DAMAGES OF ANY KIND, WHETHER INCIDENTAL, CONSEQUENTIAL OR OTHERWISE.

NO GOODS ACCEPTED FOR RETURN WITHOUT PRIOR APPROVAL. Seller shall have the right to inspect any goods claimed to be defective at Buyer's place of business or require Buyer to return the goods to Seller for inspection on Seller's premises. Transportation charges covering returned goods will be borne by Seller only if such goods are proven to be defective, are covered by this warranty and are returned within the warranty period stated above.

TENNSCO CORP.
201 TENNSCO DRIVE
DICKSON, TN 37056-1888
(615) 446-8000 (800) 251-8184
FAX: (800) 722-0134

ESTEY[®]
DIVISION OF TENNSCO CORP.

LIBRARY SHELVING PRICE LIST

DIVISION OF TENNSCO CORP.
201 TENNSCO DRIVE
DICKSON, TN 37056-1888
(615) 446-8000 (800) 251-8184
FACSIMILE: (800) 722-0134
WEB PAGE: <http://www.tennsco.com>

EFFECTIVE JUNE 1, 2011

This price list supersedes all previous price lists.
Prices subject to change without notice.

CONTENTS:

Introduction:

- PAGE 2: Features and standard colors
PAGE 3: About the weld frame system

Weld Frame Units:

- PAGES 4-5: Shelving units - 36" wide
PAGES 6-7: Divider units - 36" wide
PAGES 8-9: Integral back units - 36" wide
PAGE 10: Display units
PAGE 11: Frames & frame accessories
PAGES 12-13: Base shelves
PAGE 14: Shelves, brackets, dividers, shims

Accessories

- PAGE 15: Book carts, book trucks
PAGE 16: Periodical display, sloped display, storage, and integral back shelves
PAGE 17: Storage shelves, reference shelves, face-out display shelf, audio-video shelves, zig-zag shelves
PAGE 18: Cabinets, trays, newspaper and media rack, work shelf, browsing box
PAGE 19: Wall hung columns, overhead bracing, wall clip, labeling accessories
PAGE 20: Book supports, fillers, tilt brackets
PAGE 21: Backstops, base filler closures
PAGE 22: Canopy tops & accessories, lighting
PAGE 23: Gussets and fillers
PAGE 24: End panels and backs

ESTEY SHELVING

FUNCTION—

Estey library shelving offers you superior strength while saving valuable space. This is a shelving system designed to work. A shelving system that continues to perform well after years of rigorous library use.

VERSATILITY—

All Estey components are interchangeable. Putting together your own configuration is as simple as arranging the individual elements. The modular design lets you seamlessly build specialty items right into the system.

AESTHETICS—

Estey library shelving is an open canvas. You choose the paint colors and wood finishes (supplied by local Estey Dealer) that best expresses your vision and complements your architecture. The clean, sleek look of Estey shelving blends in with any decor.

STANDARD COLORS—

Estey products are painted with a baked-on powder coated finish. All metal parts are thoroughly cleaned with five-stage iron phosphate under finish. The chart below represents Estey standard colors only. Special color matches can be furnished; contact factory for pricing. Touchup paint may also be ordered using the chart below.

CAT. NO.	STANDARD COLORS	WEIGHT	PRICE
P-1	Arctic White #061	0.5	23.00
LTUP-1	Autumn White #564	0.5	23.00
P-2	Black #003	0.5	23.00
LTUP-1	Champagne/Putty #216	0.5	23.00
LTUP-1	Dove Grey #074	0.5	23.00
P-10	Georgian Ivory #062	0.5	23.00
LTUP-1	Light Grey #053	0.5	23.00
LTUP-1	Medium Grey #002	0.5	23.00
LTUP-1	Oyster #470	0.5	23.00
P-5	Pearl Grey #065	0.5	23.00
LTUP-1	Sand #214	0.5	23.00
P-8	Sandstone #068	0.5	23.00

NOTE— Estey can provide an antimicrobial coating on shelving. Contact customer service for information and pricing.

THE WELD FRAME SYSTEM

Estey Weld Frame construction eliminates the need for sway bracing and separate starter/adder units. It permits complete file-through capability in all shelving units.

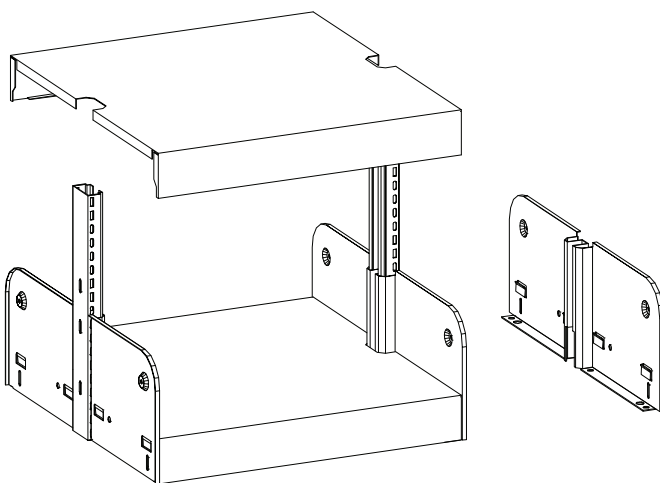
Standard weld frame is 2 1/2" deep. A 2" weld frame is also available; contact factory for details.

All Units Feature:

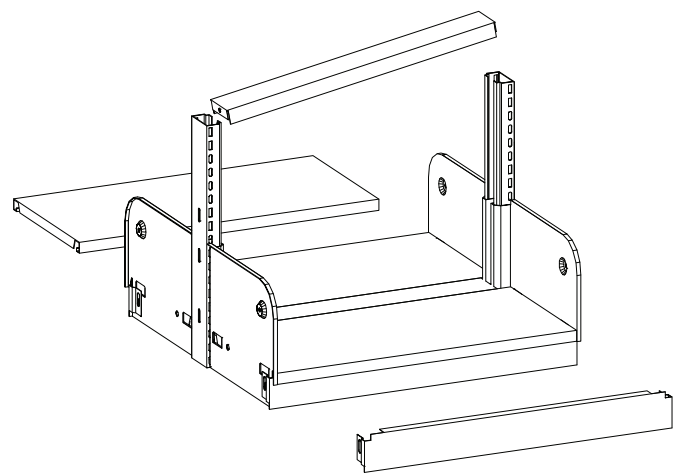
- Upright slot spacing 1" on centers in a 6" repeat pattern.
- Upright halves with 8 right angle bends.
- Six-point leveling system per double-face section; four-point leveling system per single face section (adjustable levelers provided on fixed and adjustable base units).
- Base shelves available in one-piece pan, or in multiple-piece construction with kickplate.
- Electrostatically applied/baked-on powder epoxy.

Basic Shelving Components:

- Welded frames
- Base brackets
- Base shelf
- Adjustable shelves and brackets
- Kickplate(s) (black powder coat finish)



FIXED BASE SHELF



**ADJUSTABLE (KICKPLATE)
BASE SHELF**

NOTE: All shelf depths in this catalog are expressed in nominal sizes. Base shelf dimensions will actually be greater than those shown; all other shelf sizes will be 1" less. Contact factory for specific dimensions.

SINGLE FACE*

*All single face shelving must be wall anchored.



FIXED BASE			ADJUSTABLE BASE			SHELF DEPTH	BASE DEPTH
CAT. NO.	WT.	PRICE	CAT. NO.	WT.	PRICE		
42" HIGH, 3 LEVELS							
WF41080	41	254.00	WA41080	41	232.00	8"	8"
WF41082	44	244.00	WA41082	44	235.00	8"	10"
WF41090	44	266.00	WA41090	44	244.00	9"	9"
WF41091	46	252.00	WA41091	45	244.00	9"	10"
WF41100	47	258.00	WA41100	47	250.00	10"	10"
WF41102	49	262.00	WA41102	48	254.00	10"	12"
WF41120	52	272.00	WA41120	51	263.00	12"	12"
66" HIGH, 5 LEVELS							
WF61080	59	330.00	WA61080	60	308.00	8"	8"
WF61082	63	320.00	WA61082	62	311.00	8"	10"
WF61090	63	351.00	WA61090	64	328.00	9"	9"
WF61091	66	336.00	WA61091	65	328.00	9"	10"
WF61100	69	348.00	WA61100	68	340.00	10"	10"
WF61102	70	353.00	WA61102	69	344.00	10"	12"
WF61120	76	372.00	WA61120	75	363.00	12"	12"
78" HIGH, 6 LEVELS							
WF71080	70	368.00	WA71080	70	345.00	8"	8"
WF71082	73	358.00	WA71082	72	349.00	8"	10"
WF71090	75	393.00	WA71090	76	369.00	9"	9"
WF71091	77	379.00	WA71091	76	369.00	9"	10"
WF71100	81	394.00	WA71100	80	384.00	10"	10"
WF71102	82	398.00	WA71102	81	388.00	10"	12"
WF71120	90	422.00	WA71120	89	413.00	12"	12"
84" HIGH, 7 LEVELS							
WF81080	77	400.00	WA81080	77	378.00	8"	8"
WF81082	80	390.00	WA81082	79	381.00	8"	10"
WF81090	82	429.00	WA81090	83	406.00	9"	9"
WF81091	85	415.00	WA81091	84	407.00	9"	10"
WF81100	89	433.00	WA81100	88	425.00	10"	10"
WF81102	90	437.00	WA81102	90	429.00	10"	12"
WF81120	100	466.00	WA81120	99	457.00	12"	12"
90" HIGH, 7 LEVELS							
WF91080	78	405.00	WA91080	78	383.00	8"	8"
WF91082	81	395.00	WA91082	80	386.00	8"	10"
WF91090	83	434.00	WA91090	84	411.00	9"	9"
WF91091	86	420.00	WA91091	85	412.00	9"	10"
WF91100	90	438.00	WA91100	89	430.00	10"	10"
WF91102	91	442.00	WA91102	91	434.00	10"	12"
WF91120	101	471.00	WA91120	100	462.00	12"	12"

24" and 30" wide units are also available. Contact factory for pricing and weights.
For 24" units, add "2" to end of catalog number (e.g. WF810802); for 30" units, add "3" (e.g. WF810803).

SHELVING UNITS - 36" WIDE FIXED AND ADJUSTABLE BASE

ESTEY
DIVISION OF TENNSCO CORP.

DOUBLE FACE

FIXED BASE			ADJUSTABLE BASE			SHELF DEPTH	BASE DEPTH
CAT. NO.	WT.	PRICE	CAT. NO.	WT.	PRICE		
42" HIGH, 3 LEVELS							
WF42080	60	315.00	WA42080	64	332.00	8"	16"
WF42082	65	329.00	WA42082	67	338.00	8"	20"
WF42090	65	343.00	WA42090	68	357.00	9"	18"
WF42091	68	346.00	WA42091	71	355.00	9"	20"
WF42100	71	358.00	WA42100	74	367.00	10"	20"
WF42102	74	372.00	WA42102	76	377.00	10"	24"
WF42120	80	391.00	WA42120	83	396.00	12"	24"
66" HIGH, 5 LEVELS							
WF62080	92	449.00	WA62080	95	466.00	8"	16"
WF62082	97	463.00	WA62082	99	472.00	8"	20"
WF62090	100	494.00	WA62090	103	508.00	9"	18"
WF62091	103	497.00	WA62091	105	506.00	9"	20"
WF62100	109	521.00	WA62100	111	530.00	10"	20"
WF62102	112	535.00	WA62102	114	540.00	10"	24"
WF62120	124	573.00	WA62120	126	578.00	12"	24"
78" HIGH, 6 LEVELS							
WF72080	109	576.00	WA72080	113	533.00	8"	16"
WF72082	114	530.00	WA72082	117	540.00	8"	20"
WF72090	119	569.00	WA72090	122	583.00	9"	18"
WF72091	122	572.00	WA72091	124	581.00	9"	20"
WF72100	129	602.00	WA72100	132	611.00	10"	20"
WF72102	132	616.00	WA72102	134	621.00	10"	24"
WF72120	148	664.00	WA72120	150	669.00	12"	24"
84" HIGH, 7 LEVELS							
WF82080	123	577.00	WA82080	126	594.00	8"	16"
WF82082	128	591.00	WA82082	130	600.00	8"	20"
WF82090	134	639.00	WA82090	137	653.00	9"	18"
WF82091	137	642.00	WA82091	139	651.00	9"	20"
WF82100	146	678.00	WA82100	148	687.00	10"	20"
WF82102	149	692.00	WA82102	151	697.00	10"	24"
WF82120	167	749.00	WA82120	169	754.00	12"	24"
90" HIGH, 7 LEVELS							
WF92080	124	582.00	WA92080	127	599.00	8"	16"
WF92082	129	596.00	WA92082	131	605.00	8"	20"
WF92090	135	644.00	WA92090	138	658.00	9"	18"
WF92091	138	647.00	WA92091	140	656.00	9"	20"
WF92100	147	683.00	WA92100	149	692.00	10"	20"
WF92102	150	697.00	WA92102	152	702.00	10"	24"
WF92120	168	754.00	WA92120	170	759.00	12"	24"



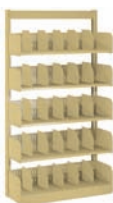
24" and 30" wide units are also available. Contact factory for pricing and weights.
For 24" units, add "2" to end of catalog number (e.g. WF820802); for 30" units, add "3" (e.g. WF820803).

ESTEY[®] INTEGRAL BACK DIVIDER UNITS, 36" WIDE FIXED & ADJUSTABLE BASE

DIVISION OF TENNSCO CORP.

SINGLE FACE*

*All single face shelving must be wall anchored.



All divider units come with 5 dividers per shelf.

FIXED BASE			ADJUSTABLE BASE			SHELF DEPTH	BASE DEPTH
CAT. NO.	WT.	PRICE	CAT. NO.	WT.	PRICE		
42" HIGH, 3 LEVELS							
WBDF41100	62	340.00	WBDA41100	63	345.00	10"	10"
WBDF41102	63	347.00	WBDA41102	64	350.00	10"	12"
WBDF41103	64	356.00	WBDA41103	65	361.00	10"	13"
WBDF41120	66	358.00	WBDA41120	67	362.00	12"	12"
WBDF41130	69	379.00	WBDA41130	70	385.00	13"	13"
WBDF41133	73	403.00	WBDA41133	73	414.00	13"	16"
66" HIGH, 5 LEVELS							
WBDF61100	95	500.00	WBDA61100	96	505.00	10"	10"
WBDF61102	96	506.00	WBDA61102	97	510.00	10"	12"
WBDF61103	97	515.00	WBDA61103	98	520.00	10"	13"
WBDF61120	102	529.00	WBDA61120	103	533.00	12"	12"
WBDF61130	106	562.00	WBDA61130	110	583.00	13"	13"
WBDF61133	111	586.00	WBDA61133	111	597.00	13"	16"
78" HIGH, 6 LEVELS							
WBDF71100	113	580.00	WBDA71100	114	584.00	10"	10"
WBDF71102	114	586.00	WBDA71102	115	589.00	10"	12"
WBDF71103	115	595.00	WBDA71103	116	600.00	10"	13"
WBDF71120	122	615.00	WBDA71120	123	618.00	12"	12"
WBDF71130	127	654.00	WBDA71130	128	659.00	13"	13"
WBDF71133	131	678.00	WBDA71133	131	688.00	13"	16"
84" HIGH, 7 LEVELS							
WBDF81100	127	653.00	WBDA81100	128	658.00	10"	10"
WBDF81102	129	659.00	WBDA81102	129	663.00	10"	12"
WBDF81103	130	669.00	WBDA81103	130	674.00	10"	13"
WBDF81120	138	694.00	WBDA81120	139	698.00	12"	12"
WBDF81130	143	739.00	WBDA81130	144	745.00	13"	13"
WBDF81133	148	763.00	WBDA81133	148	774.00	13"	16"
90" HIGH, 7 LEVELS							
WBDF91100	128	658.00	WBDA91100	129	663.00	10"	10"
WBDF91102	130	664.00	WBDA91102	130	668.00	10"	12"
WBDF91103	131	674.00	WBDA91103	131	679.00	10"	13"
WBDF91120	139	699.00	WBDA91120	140	703.00	12"	12"
WBDF91130	144	744.00	WBDA91130	145	750.00	13"	13"
WBDF91133	149	768.00	WBDA91133	149	777.00	13"	16"
93" HIGH, 8 LEVELS							
WBDF01100	144	776.00	WBDA01100	144	781.00	10"	10"
WBDF01102	145	782.00	WBDA01102	146	786.00	10"	12"
WBDF01103	146	791.00	WBDA01103	146	796.00	10"	13"
WBDF01120	156	823.00	WBDA01120	156	826.00	12"	12"
WBDF01130	162	874.00	WBDA01130	163	879.00	13"	13"
WBDF01133	166	898.00	WBDA01133	175	1,016.00	13"	16"

24" and 30" wide units are also available. Contact factory for pricing and weights. For 24" units, add "2" to end of catalog number (e.g. WBDF811002); for 30" units, add "3" (e.g. WBDF811003).

INTEGRAL BACK DIVIDER UNITS, 36" WIDE **ESTEY**[®] FIXED AND ADJUSTABLE BASE

DIVISION OF TENNSCO CORP.

DOUBLE FACE

FIXED BASE			ADJUSTABLE BASE			SHELF DEPTH	BASE DEPTH
CAT. NO.	WT.	PRICE	CAT. NO.	WT.	PRICE		
42" HIGH, 3 LEVELS							
WBDF42100	106	558.00	WBDA42100	107	566.00	10"	20"
WBDF42102	109	574.00	WBDA42102	110	578.00	10"	24"
WBDF42103	111	588.00	WBDA42103	112	596.00	10"	26"
WBDF42120	115	597.00	WBDA42120	116	601.00	12"	24"
WBDF42130	120	635.00	WBDA42130	121	643.00	13"	26"
WBDF42133	128	679.00	WBDA42133	126	691.00	13"	32"
66" HIGH, 5 LEVELS							
WBDF62100	167	859.00	WBDA62100	169	859.00	10"	20"
WBDF62102	170	875.00	WBDA62102	171	879.00	10"	24"
WBDF62103	172	889.00	WBDA62103	173	897.00	10"	26"
WBDF62120	183	921.00	WBDA62120	184	925.00	12"	24"
WBDF62130	191	983.00	WBDA62130	192	991.00	13"	26"
WBDF62133	199	1,027.00	WBDA62133	206	1,145.00	13"	32"
78" HIGH, 6 LEVELS							
WBDF72100	199	1,009.00	WBDA72100	201	1,017.00	10"	20"
WBDF72102	203	1,025.00	WBDA72102	204	1,029.00	10"	24"
WBDF72103	204	1,039.00	WBDA72103	206	1,047.00	10"	26"
WBDF72120	218	1,083.00	WBDA72120	219	1,087.00	12"	24"
WBDF72130	227	1,157.00	WBDA72130	229	1,165.00	13"	26"
WBDF72133	236	1,201.00	WBDA72133	237	1,227.00	13"	32"
84" HIGH, 7 LEVELS							
WBDF82100	228	1,154.00	WBDA82100	229	1,162.00	10"	20"
WBDF82102	2321	1,170.00	WBDA82102	232	1,174.00	10"	24"
WBDF82103	233	1,184.00	WBDA82103	234	1,192.00	10"	26"
WBDF82120	249	1,239.00	WBDA82120	249	1,235.00	12"	24"
WBDF82130	260	1,325.00	WBDA82130	262	1,333.00	13"	26"
WBDF82133	268	1,369.00	WBDA82133	270	1,395.00	13"	32"
90" HIGH, 7 LEVELS							
WBDF92100	229	1,159.00	WBDA92100	230	1,167.00	10"	20"
WBDF92102	232	1,175.00	WBDA92102	233	1,179.00	10"	24"
WBDF92103	234	1,189.00	WBDA92103	235	1,197.00	10"	26"
WBDF92120	250	1,244.00	WBDA92120	251	1,248.00	12"	24"
WBDF92130	261	1,330.00	WBDA92130	263	1,338.00	13"	26"
WBDF92133	269	1,374.00	WBDA92133	271	1,400.00	13"	32"
93" HIGH, 8 LEVELS							
WBDF02100	258	1,347.00	WBDA02100	259	1,355.00	10"	20"
WBDF02102	261	1,363.00	WBDA02102	262	1,367.00	10"	24"
WBDF02103	263	1,377.00	WBDA02103	264	1,385.00	10"	26"
WBDF02120	282	1,444.00	WBDA02120	284	1,448.00	12"	24"
WBDF02130	291	1,506.00	WBDA02130	296	1,550.00	13"	26"
WBDF02133	303	1,586.00	WBDA02133	304	1,612.00	13"	32"



24" and 30" wide units are also available. Contact factory for pricing and weights. For 24" units, add "2" to end of catalog number (e.g. WBDF821002); for 30" units, add "3" (e.g. WBDF821003).

All divider units come with 5 dividers per shelf.

**INTEGRAL BACK UNITS, 36" WIDE
FIXED & ADJUSTABLE BASE**

SINGLE FACE*

*All single face shelving must be wall anchored.



FIXED BASE			ADJUSTABLE BASE			SHELF DEPTH	BASE DEPTH
CAT. NO.	WT.	PRICE	CAT. NO.	WT.	PRICE		
42" HIGH, 3 LEVELS							
WFIB41080	42	278.00	WAIB41080	42	265.00	8"	8"
WFIB41082	44	279.00	WAIB41082	44	266.00	8"	10"
WFIB41090	44	287.00	WAIB41090	45	273.00	9"	9"
WFIB41091	45	285.00	WAIB41091	46	273.00	9"	10"
WFIB41100	47	289.00	WAIB41100	47	276.00	10"	10"
WFIB41102	48	296.00	WAIB41102	49	283.00	10"	12"
WFIB41120	52	310.00	WAIB41120	53	296.00	12"	12"
66" HIGH, 5 LEVELS							
WFIB61080	62	381.00	WAIB61080	62	369.00	8"	8"
WFIB61082	64	382.00	WAIB61082	64	370.00	8"	10"
WFIB61090	65	397.00	WAIB61090	66	383.00	9"	9"
WFIB61091	67	394.00	WAIB61091	67	382.00	9"	10"
WFIB61100	70	402.00	WAIB61100	70	390.00	10"	10"
WFIB61102	71	410.00	WAIB61102	72	396.00	10"	12"
WFIB61120	78	437.00	WAIB61120	79	424.00	12"	12"
78" HIGH, 6 LEVELS							
WFIB71080	73	433.00	WAIB71080	73	420.00	8"	8"
WFIB71082	75	434.00	WAIB71082	76	422.00	8"	10"
WFIB71090	78	451.00	WAIB71090	79	437.00	9"	9"
WFIB71091	79	449.00	WAIB71091	78	436.00	9"	10"
WFIB71100	83	459.00	WAIB71100	83	446.00	10"	10"
WFIB71102	84	466.00	WAIB71102	85	452.00	10"	12"
WFIB71120	93	501.00	WAIB71120	94	487.00	12"	12"
84" HIGH, 7 LEVELS							
WFIB81080	81	479.00	WAIB81080	81	466.00	8"	8"
WFIB81082	83	480.00	WAIB81082	83	468.00	8"	10"
WFIB81090	86	500.00	WAIB81090	87	486.00	9"	9"
WFIB81091	87	498.00	WAIB81091	88	486.00	9"	10"
WFIB81100	92	510.00	WAIB81100	92	498.00	10"	10"
WFIB81102	94	517.00	WAIB81102	94	504.00	10"	12"
WFIB81120	104	559.00	WAIB81120	104	545.00	12"	12"
90" HIGH, 7 LEVELS							
WFIB91080	82	484.00	WAIB91080	82	472.00	8"	8"
WFIB91082	84	485.00	WAIB91082	84	473.00	8"	10"
WFIB91090	87	505.00	WAIB91090	88	491.00	9"	9"
WFIB91091	88	503.00	WAIB91091	89	491.00	9"	10"
WFIB91100	93	515.00	WAIB91100	93	503.00	10"	10"
WFIB91102	94	522.00	WAIB91102	95	509.00	10"	12"
WFIB91120	105	564.00	WAIB91120	105	550.00	12"	12"

Units come with one wire divider per shelf level.

24" and 30" wide units are also available; contact factory for pricing and weights. For 24" units, add "2" to end of catalog number (e.g. WFIB810802); for 30" units, add "3" (e.g. WFIB810803).

INTEGRAL BACK UNITS, 36" WIDE FIXED AND ADJUSTABLE BASE

ESTEY
DIVISION OF TENNSCO CORP.

DOUBLE FACE

FIXED BASE			ADJUSTABLE BASE			SHELF DEPTH	BASE DEPTH
CAT. NO.	WT.	PRICE	CAT. NO.	WT.	PRICE		
42" HIGH, 3 LEVELS							
WFIB42080	66	427.00	WAIB42080	67	407.00	8"	16"
WFIB42082	69	435.00	WAIB42082	71	409.00	8"	20"
WFIB42090	70	445.00	WAIB42090	72	425.00	9"	18"
WFIB42091	72	447.00	WAIB42091	74	421.00	9"	20"
WFIB42100	75	455.00	WAIB42100	77	429.00	10"	20"
WFIB42102	79	473.00	WAIB42102	80	443.00	10"	24"
WFIB42120	86	500.00	WAIB42120	87	471.00	12"	24"
66" HIGH, 5 LEVELS							
WFIB62080	100	616.00	WAIB62080	102	596.00	8"	16"
WFIB62082	104	624.00	WAIB62082	105	598.00	8"	20"
WFIB62090	108	646.00	WAIB62090	109	626.00	9"	18"
WFIB62091	110	648.00	WAIB62091	112	622.00	9"	20"
WFIB62100	116	664.00	WAIB62100	118	638.00	10"	20"
WFIB62102	120	682.00	WAIB62102	121	652.00	10"	24"
WFIB62120	134	737.00	WAIB62120	135	707.00	12"	24"
78" HIGH, 6 LEVELS							
WFIB72080	119	710.00	WAIB72080	121	691.00	8"	16"
WFIB72082	123	718.00	WAIB72082	125	693.00	8"	20"
WFIB72090	129	746.00	WAIB72090	130	727.00	9"	18"
WFIB72091	130	748.00	WAIB72091	132	723.00	9"	20"
WFIB72100	138	768.00	WAIB72100	140	743.00	10"	20"
WFIB72102	142	787.00	WAIB72102	143	757.00	10"	24"
WFIB72120	159	856.00	WAIB72120	160	826.00	12"	24"
84" HIGH, 7 LEVELS							
WFIB82080	135	799.00	WAIB82080	136	779.00	8"	16"
WFIB82082	138	807.00	WAIB82082	140	781.00	8"	20"
WFIB82090	145	841.00	WAIB82090	146	821.00	9"	18"
WFIB82091	147	843.00	WAIB82091	149	817.00	9"	20"
WFIB82100	156	867.00	WAIB82100	158	841.00	10"	20"
WFIB82102	160	885.00	WAIB82102	161	855.00	10"	24"
WFIB82120	181	968.00	WAIB82120	182	938.00	12"	24"
90" HIGH, 7 LEVELS							
WFIB92080	136	804.00	WAIB92080	137	784.00	8"	16"
WFIB92082	139	812.00	WAIB92082	141	786.00	8"	20"
WFIB92090	146	846.00	WAIB92090	147	826.00	9"	18"
WFIB92091	148	848.00	WAIB92091	150	822.00	9"	20"
WFIB92100	157	872.00	WAIB92100	159	846.00	10"	20"
WFIB92102	161	890.00	WAIB92102	162	860.00	10"	24"
WFIB92120	182	973.00	WAIB92120	183	943.00	12"	24"



Units come with one wire divider per shelf level.

24" and 30" wide units are also available. Contact factory for pricing and weights. For 24" units, add "2" to end of catalog number (e.g. WFIB820802); for 30" units, add "3" (e.g. WFIB820803).

PERIODICAL DISPLAY UNITS

Pivoting periodical shelving with flat storage shelf. With 12" storage shelves & 12" fixed base single face or 24" fixed base double face.



* All single face shelving must be wall anchored.

** Overhead top bracing recommended.

CATALOG NUMBER	SLOPING SHELVES	STORAGE LEVELS	W	D	H	WT.	PRICE
SINGLE FACE *							
WP411203	3	3	30	12	42	68	418.00
WP611203	4	4	30	12	66	88	525.00
WP711203	5	5	30	12	78	107	624.00
WP811203	5	5	30	12	84	108	627.00
WP911203	6	6	30	12	90	124	721.00
WP41120	3	3	36	12	42	77	418.00
WP61120	4	4	36	12	66	100	525.00
WP71120	5	5	36	12	78	122	624.00
WP81120	5	5	36	12	84	122	627.00
WP91120	6	6	36	12	90	141	721.00
DOUBLE FACE							
WP421203	6	6	30	24	42	114	678.00
WP621203	8	8	30	24	66	150	875.00
WP721203	10	10	30	24	78	183	1,062.00
WP821203	10	10	30	24	84	184	1,066.00
WP921203 **	12	12	30	24	90	216	1,249.00
WP42120	6	6	36	24	42	130	678.00
WP62120	8	8	36	24	66	171	875.00
WP72120	10	10	36	24	78	211	1,062.00
WP82120	10	10	36	24	84	211	1,066.00
WP92120 **	12	12	36	24	90	248	1,249.00

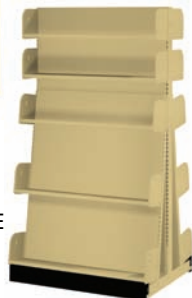
24" wide units are also available. Contact factory for pricing and weights.

DISPLAY SHELF UNITS

Ideal for displaying various periodicals, new books, or other media items. Lower shelves are sloped 10° for better visualization.



SINGLE FACE



DOUBLE FACE

* All single face shelving must be wall anchored.

** Overhead top bracing recommended. **24" and 30" wide units also available. Contact factory for pricing and weights.**

CATALOG NUMBER	LEVEL SHELVES	SLOPING SHELVES	W	D	H	WT.	PRICE
SINGLE FACE *							
DAS436	0	3	36	17	42	64	461.00
DAS636	2	3	36	17	66	98	618.00
DAS836	3	4	36	17	84	127	731.00
DAS936 **	3	4	36	17	90	130	750.00
DOUBLE FACE							
DAD436	0	6	36	31	42	111	692.00
DAD636	4	6	36	31	66	174	986.00
DAD836	6	8	36	31	84	226	1,198.00
DAD936 **	6	8	36	31	90	235	1,231.00

FRAMES, FRAME ACCESSORIES

ESTEY
DIVISION OF TENNSCO CORP.

CAT. NO.	DESCRIPTION	W	D	H	WT.	PRICE
W4230		30	2 1/2	42	14.2	93.00
W5430		30	2 1/2	54	16.0	108.00
W6630		30	2 1/2	66	19.4	111.00
W7830		30	2 1/2	78	22.0	120.00
W8430		30	2 1/2	84	23.0	123.00
W9030		30	2 1/2	90	24.0	128.00
W9330		30	2 1/2	93	25.0	175.00
W4236		36	2 1/2	42	15.3	93.00
W5436		36	2 1/2	54	15.5	108.00
W6636		36	2 1/2	66	20.0	111.00
W7836		36	2 1/2	78	24.0	120.00
W8436		36	2 1/2	84	24.0	123.00
W9036		36	2 1/2	90	25.0	128.00
W9336		36	2 1/2	93	26.0	175.00
W10836		36	2 1/2	108	27.0	166.00
W11236		36	2 1/2	112	27.0	204.00

SEISMIC SWAY BRACES

SSBR6030A	For 66" and 78" frames	30	1	58	4.5	64.00
SSBR7330A	For 84", 90" and 93" frames	30	1	73	5.9	81.00
SSBR6036A	For 66" and 78" frames	36	1	58	4.5	64.00
SSBR7336A	For 84", 90" and 93" frames	36	1	73	5.9	81.00

Special widths or heights are available. Contact factory for pricing.

WELDED FRAMES



WELDED FRAME



SEISMIC SWAY BRACES

SEISMIC WELDED FRAMES

CAT. NO.	W	D	H	WT.	PRICE
SWF7830	30	2 1/2	78	27.0	192.00
SWF8430	30	2 1/2	84	31.0	193.00
SWF9030	30	2 1/2	90	32.0	197.00
SWF7836	36	2 1/2	78	29.0	192.00
SWF8436	36	2 1/2	84	31.0	193.00
SWF9036	36	2 1/2	90	32.0	197.00



Eliminates the need for sway braces.

WELDED FRAME EXTENDER

CAT. NO.	W	D	H	WT.	PRICE
WFEXT3618	36	2 1/2	18	9.2	137.00
WFEXT3624	36	2 1/2	24	11.2	107.00
WFEXT3630	36	2 1/2	30	12.3	120.00
WFEXT36xx	36	2 1/2	Varies	Varies: contact factory	



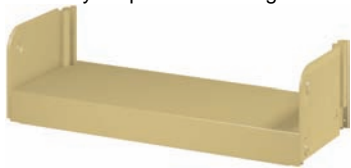
Add to existing frames for more space. Available in a variety of sizes with a 12" minimum. Contact factory for pricing & weights on sizes not shown.

CLOSED BASE SHELVES WITH AND WITHOUT DIVIDERS

CLOSED BASE SHELVES (SINGLE FACE)

CAT. NO.	W	D	H	WT.	PRICE
FOR FIXED BASE SHELVES					
WB3608A	36	8	3 ⁵ / ₁₆	12.2	100.00
WB3609A	36	9	3 ⁵ / ₁₆	13.1	103.00
WB3610A	36	10	3 ⁵ / ₁₆	15.4	89.00
WB3612A	36	12	3 ⁵ / ₁₆	16.6	93.00
WB3613A	36	13	3 ⁵ / ₁₆	17.4	116.00
WB3616A	36	16	3 ⁵ / ₁₆	20.0	131.00
FOR ADJUSTABLE BASE SHELVES					
WA3608A	36	8	3 ⁵ / ₁₆	12.4	78.00
WA3609A	36	9	3 ⁵ / ₁₆	13.91	81.00
WA3610A	36	10	3 ⁵ / ₁₆	14.6	82.00
WA3612A	36	12	3 ⁵ / ₁₆	16.0	86.00
WA3613A	36	13	3 ⁵ / ₁₆	16.9	96.00
WA3616A	36	16	3 ⁵ / ₁₆	19.0	105.00

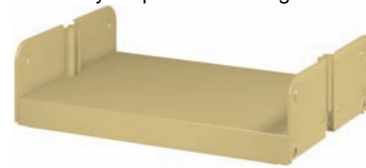
Comes complete with base brackets. Kickplates for adjustable base shelves are furnished with black powder coat finish. If 30" shelves are desired, change the number "36" to "30" (e.g. WA3013A or WB3013A). Call factory for prices and weights on 30" shelves.



CLOSED BASE SHELVES (DOUBLE FACE)

CAT. NO.	W	D	H	WT.	PRICE
FOR FIXED BASE SHELVES					
WB3616DA	36	16	3 ⁵ / ₁₆	18	105.00
WB3618A	36	18	3 ⁵ / ₁₆	20	116.00
WB3620A	36	20	3 ⁵ / ₁₆	23	119.00
WB3624A	36	24	3 ⁵ / ₁₆	26	133.00
WB3626A	36	26	3 ⁵ / ₁₆	28	170.00
WB3632A	36	32	3 ⁵ / ₁₆	33	194.00
FOR ADJUSTABLE BASE SHELVES					
WA3616DA	36	16	3 ⁵ / ₁₆	21	123.00
WA3618A	36	18	3 ⁵ / ₁₆	23	131.00
WA3620A	36	20	3 ⁵ / ₁₆	25	129.00
WA3624A	36	24	3 ⁵ / ₁₆	28	139.00
WA3626A	36	26	3 ⁵ / ₁₆	30	157.00
WA3632A	36	32	3 ⁵ / ₁₆	35	179.00

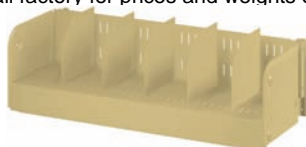
Comes complete with base brackets. Kickplates for adjustable base shelves are furnished with black powder coat finish. If 30" shelves are desired, change the number "36" to "30" (e.g. WA3018A or WB3018A). Call factory for prices and weights on 30" shelves.



CLOSED BASE SHELVES (SINGLE FACE) WITH INTEGRAL BACK & DIVIDERS

CAT. NO.	W	D	H	WT.	PRICE
FOR FIXED BASE SHELVES					
TBDF3610	36	10	3 ⁵ / ₁₆	18	103.00
TBDF3612	36	12	3 ⁵ / ₁₆	20	109.00
TBDF3613	36	13	3 ⁵ / ₁₆	20	118.00
TBDF3616	36	16	3 ⁵ / ₁₆	25	142.00
FOR ADJUSTABLE BASE SHELVES					
TBDA3610	36	10	3 ⁵ / ₁₆	19	108.00
TBDA3612	36	12	3 ⁵ / ₁₆	20	113.00
TBDA3613	36	13	3 ⁵ / ₁₆	21	124.00
TBDA3616	36	16	3 ⁵ / ₁₆	25	153.00

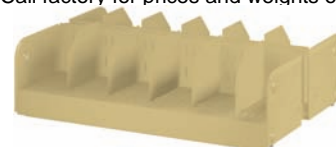
Slotted on 1" centers for dividers, with 5" backstop. Five adjustable dividers provided per shelf. Kickplates for adjustable base shelves are furnished with black powder coat finish. If 30" shelves are desired, change the number "36" to "30" (e.g. TBDF3010 or TBDA3010). Call factory for prices and weights on 30" shelves.



CLOSED BASE SHELVES (DOUBLE FACE) WITH INTEGRAL BACK & DIVIDERS

CAT. NO.	W	D	H	WT.	PRICE
FOR FIXED BASE SHELVES					
TBDF3620	36	20	3 ⁵ / ₁₆	34	181.00
TBDF3624	36	24	3 ⁵ / ₁₆	37	197.00
TBDF3626	36	26	3 ⁵ / ₁₆	39	211.00
TBDF3632	36	32	3 ⁵ / ₁₆	47	255.00
FOR ADJUSTABLE BASE SHELVES					
TBDA3620	36	20	3 ⁵ / ₁₆	35	190.00
TBDA3624	36	24	3 ⁵ / ₁₆	38	202.00
TBDA3626	36	26	3 ⁵ / ₁₆	40	220.00
TBDA3632	36	32	3 ⁵ / ₁₆	48	282.00

Slotted on 1" centers for dividers, with 5" backstop. Five adjustable dividers provided per shelf. Kickplates for adjustable base shelves are furnished with black powder coat finish. If 30" shelves are desired, change the number "36" to "30" (e.g. TBDF3020 or TBDA3020). Call factory for prices and weights on 30" shelves.



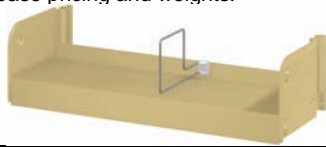
INTEGRAL BACK BASE SHELVES, SLOPING BASE SHELVES

ESTEY
DIVISION OF TENNSCO CORP.

INTEGRAL BACK BASE SHELVES (SINGLE FACE)

CAT. NO.	W	D	H	WT.	PRICE
WIBBS3008A	30	8	3 ⁵ / ₁₆	10.2	96.00
WIBBS3009A	30	9	3 ⁵ / ₁₆	10.8	99.00
WIBBS3010A	30	10	3 ⁵ / ₁₆	12.0	97.00
WIBBS3012A	30	12	3 ⁵ / ₁₆	13.2	104.00
WIBBS3013A	30	13	3 ⁵ / ₁₆	14.2	127.00
WIBBS3016A	30	16	3 ⁵ / ₁₆	16.4	130.00
WIBBS3608A	36	8	3 ⁵ / ₁₆	11.2	96.00
WIBBS3609A	36	9	3 ⁵ / ₁₆	11.9	99.00
WIBBS3610A	36	10	3 ⁵ / ₁₆	13.2	97.00
WIBBS3612A	36	12	3 ⁵ / ₁₆	14.6	104.00
WIBBS3613A	36	13	3 ⁵ / ₁₆	15.5	119.00
WIBBS3616A	36	16	3 ⁵ / ₁₆	18.2	130.00
DIVIDER ONLY					
EWD-1	3 ¹ / ₁₆	8	6 ¹ / ₂	0.4	8.60
EWD-2	3 ¹ / ₁₆	12	6 ¹ / ₂	0.6	9.70

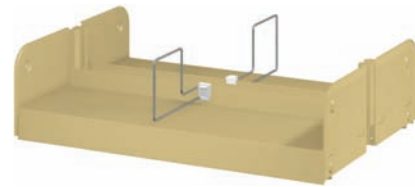
Includes one wire divider per opening. If adjustable base is required, change "S" to "A" when ordering (e.g. WIBBAxxxxA). Call factory for adjustable base pricing and weights.



INTEGRAL BACK BASE SHELVES (DOUBLE FACE)

CAT. NO.	W	D	H	WT.	PRICE
WIBBS3018A	30	18	3 ⁵ / ₁₆	20	167.00
WIBBS3020A	30	20	3 ⁵ / ₁₆	21	169.00
WIBBS3024A	30	24	3 ⁵ / ₁₆	25	188.00
WIBBS3026A	30	26	3 ⁵ / ₁₆	26	214.00
WIBBS3032A	30	32	3 ⁵ / ₁₆	31	232.00
WIBBS3618A	36	18	3 ⁵ / ₁₆	22	167.00
WIBBS3620A	36	20	3 ⁵ / ₁₆	24	169.00
WIBBS3624A	36	24	3 ⁵ / ₁₆	27	188.00
WIBBS3626A	36	26	3 ⁵ / ₁₆	29	214.00
WIBBS3632A	36	32	3 ⁵ / ₁₆	34	232.00
DIVIDER ONLY					
EWD-1	3 ¹ / ₁₆	8	6 ¹ / ₂	0.4	8.60
EWD-2	3 ¹ / ₁₆	12	6 ¹ / ₂	0.6	9.70

Includes one wire divider per opening. If adjustable base is required, change "S" to "A" when ordering (e.g. WIBBAxxxxA). Call factory for adjustable base pricing and weights.



SLOPING BASE SHELVES (SINGLE FACE)

CAT. NO.	W	D	H	WT.	PRICE
WSB3009A	30	9	3 ⁷ / ₈	14.0	89.00
WSB3010A	30	10	3 ⁷ / ₈	14.3	83.00
WSB3012A	30	12	3 ⁷ / ₈	15.2	88.00
WSB3609A	36	9	3 ⁷ / ₈	13.5	89.00
WSB3610A	36	10	3 ⁷ / ₈	15.0	83.00
WSB3612A	36	12	3 ⁷ / ₈	15.2	88.00
VIDEO SLOPING BASE SHELVES (6 Dividers Included)					
VC3012A	30	12	3 ⁷ / ₈	18.7	119.00
VC3612A	36	12	3 ⁷ / ₈	19.7	119.00

Sloping Base Shelves and Video Sloping Base Shelves are sloped at 9°, aiding visually those items displayed on the bottom shelf. Video Sloping Base Shelves are slotted on 1" centers for dividers, with 5" integral backstop; six adjustable dividers are provided.



SLOPING BASE SHELVES (DOUBLE FACE)

CAT. NO.	W	D	H	WT.	PRICE
WSB3018A	30	18	3 ⁷ / ₈	24	138.00
WSB3020A	30	20	3 ⁷ / ₈	25	138.00
WSB3024A	30	24	3 ⁷ / ₈	31	152.00
WSB3618A	36	18	3 ⁷ / ₈	23	138.00
WSB3620A	36	20	3 ⁷ / ₈	26	138.00
WSB3624A	36	24	3 ⁷ / ₈	31	152.00
VIDEO SLOPING BASE SHELVES (12 Dividers Included)					
VC3012DA	30	24	3 ⁷ / ₈	38	216.00
VC3612DA	36	24	3 ⁷ / ₈	40	216.00

Sloping Base Shelves and Video Sloping Base Shelves are sloped at 9°, aiding visually those items displayed on the bottom shelf. Video Sloping Base Shelves are slotted on 1" centers for dividers, with 5" integral backstop; twelve adjustable dividers are provided.



ADJUSTABLE SHELVES

CAT. NO.	W	D	H	WT.	PRICE
BL3008A	30	8	13/16	5.9	29.00
BL3009A	30	9	13/16	6.6	33.00
BL3010A	30	10	13/16	7.2	36.00
BL3011A	30	11	13/16	7.9	38.00
BL3012A	30	12	13/16	8.6	41.00
BL3013A	30	13	13/16	9.2	47.00
BL3014A	30	14	13/16	9.9	49.00
BL3016A	30	16	13/16	11.2	55.00
BL3608A	36	8	13/16	6.7	29.00
BL3609A	36	9	13/16	7.5	33.00
BL3610A	36	10	13/16	8.2	36.00
BL3611A	36	11	13/16	9.0	38.00
BL3612A	36	12	13/16	9.8	41.00
BL3613A	36	13	13/16	10.5	47.00
BL3614A	36	14	13/16	11.3	49.00
BL3616A	36	16	13/16	12.8	55.00

Includes shelf brackets. Can be furnished in additional widths or depths; contact factory for pricing.



SHELF BRACKETS

CAT. NO.	W	D	H	WT.	PRICE
ASBRK08L*	1/4	8	7 1/2	1.0	4.60
ASBRK09L*	1/4	9	7 1/2	1.1	5.10
ASBRK10L*	1/4	10	7 1/2	1.2	5.60
ASBRK11L*	1/4	11	7 1/2	1.4	6.10
ASBRK12L*	1/4	12	7 1/2	1.5	6.50
ASBRK13L*	1/4	13	7 1/2	1.6	7.40
ASBRK14L*	1/4	14	7 1/2	1.8	8.20
ASBRK16L*	1/4	16	7 1/2	2.0	9.00

Attaches shelves to unit uprights. *NOTE: Listed catalog numbers are for left bracket only; for right bracket, change the suffix "L" to "R".



LEFT BRACKET

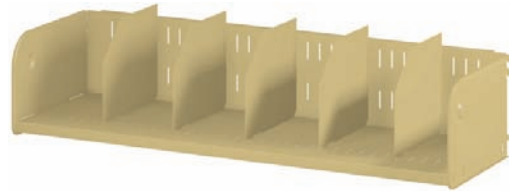


RIGHT BRACKET

ADJUSTABLE DIVIDER SHELVES

CAT. NO.	W	D	H	WT.	PRICE
BDA3010A	30	10	13/16	12.8	71.00
BDA3011A	30	11	13/16	13.5	75.00
BDA3012A	30	12	13/16	14.2	77.00
BDA3013A	30	13	13/16	14.8	83.00
BDA3016A	30	16	13/16	17.9	111.00
BDA3610A	36	10	13/16	14.1	71.00
BDA3611A	36	11	13/16	14.9	75.00
BDA3612A	36	12	13/16	15.7	77.00
BDA3613A	36	13	13/16	16.4	83.00
BDA3616A	36	16	13/16	20.0	111.00

Slotted on 1" centers to accommodate dividers. Includes 5" back, brackets, and 5 dividers per shelf.



DIVIDERS

CAT. NO.	USE WITH	D	H	WT.	PRICE
DIV07	7" & 8" Shelves	7	6	0.4	2.10
DIV09	10" through 13"	9	7 1/2	0.7	3.30
DIV12	14" through 16"	12	7 1/2	1.0	4.70
SPD12	14" through 16"	9	12	1.6	9.60

DIV07



DIV09



DIV12



SPD12



SHIMS

CAT. NO.	W	D	H	WT.	PRICE
SHIM	2	2 1/2	1/16	0.1	.98

Used to aid in the leveling of fixed base units. Zinc finish.



BOOK CARTS, BOOK TRUCKS INTRODUCTION TO ACCESSORIES

ESTEY
DIVISION OF TENNSCO CORP.

BOOK CARTS



42"H cart with 2 single entry shelves



65"H cart with 4 double entry shelves

CAT. NO.	NO. & TYPE OF SHELVES	W	D	H	WT.	PRICE
42" HEIGHT, 18" DEEP CARTS						
BC361842D2	2 Double Entry	36	18	42	70	525.00
BC361842D1	1 Double Entry, 1 Single Entry	36	18	42	65	476.00
BC361842D0	2 Single Entry	36	18	42	68	441.00
42" HEIGHT, 24" DEEP CART						
BC362442D2	2 Double Entry	36	24	42	90	614.00
65" HEIGHT, 18" DEEP CARTS						
BC361857D4	4 Double Entry	36	18	65	125	877.00
BC361857D3	3 Double Entry, 1 Single Entry	36	18	65	120	837.00
BC361857D2	2 Double Entry, 2 Single Entry	36	18	65	114	798.00
BC361857D1	1 Double Entry, 3 Single Entry	36	18	65	110	758.00
BC361857D0	4 Single Entry	36	18	65	104	758.00
65" HEIGHT, 24" DEEP CART						
BC362457D4	4 Double Entry	36	24	65	140	948.00

Dividers for these carts are also available. Please see dividers on page 12; order divider size DIV07.

BOOK TRUCKS



ESBT-4320A

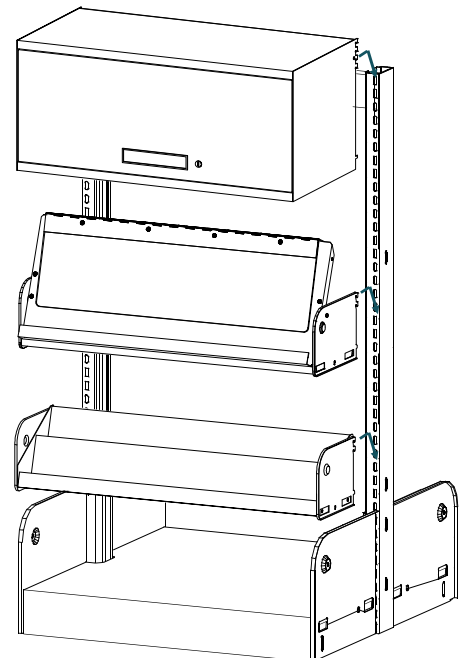
ESBT-4328A

CAT. NO.	NO. & TYPE OF SHELVES	W	D	H	WT.	PRICE
ESBT-4320A	With three sloping shelves	20	13	42	44	520.00
ESBT-4328A	With three flat shelves	31	17	42	60	536.00

ESBT-4320A is a single entry book truck with three sloping shelves; ESBT-4328A is a double entry book truck with three flat shelves.

ACCESSORIES

The next section is devoted to a variety of accessories for your Estey shelving. **Estey Accessories** fit all weld frame units. Most accessory shelving is installable by simply inserting the bracket hooks into the upright slots as shown at right.



PERIODICAL DISPLAY SHELVES

CAT. NO.	W	D	H	WT.	PRICE
PDS3012A	30	12	14	15.5	89.00
PDS3612A	36	12	14	18.0	89.00
PDS3012ACLH*	30	12	14	14.9	114.00
PDS3612ACLH*	36	12	14	18.0	114.00
WITH PLEXIGLASS COVER					
PDSCA30	30	12	14	22.0	179.00
PDSCA	36	12	14	23.0	179.00

Sloped for display. 14" high periodical surface.
* Includes continuous label holder.



PERIODICAL DISPLAY SHELF

PERIODICAL DISPLAY SHELF
WITH PLEXIGLASS COVER

SLOPED DISPLAY SHELVES

CAT. NO.	W	D	H	WT.	PRICE
SDS3012A	30	12	12	7.3	61.00
SDS3612A	36	12	12	9.6	61.00
SDS3012ACLH*	30	12	12	13.1	94.00
SDS3612ACLH*	36	12	12	9.2	94.00
WITH PLEXIGLASS COVER					
SDSCA30	30	12	12	11.8	160.00
SDSCA	36	12	12	11.8	160.00

Sloped for display. Fixed or pivot optional. 12" periodical surface.
* Includes continuous label holder.



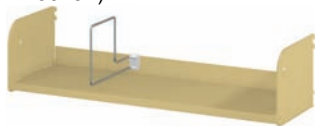
SLOPED DISPLAY SHELF

SLOPED DISPLAY SHELF
WITH PLEXIGLASS COVER

INTEGRAL BACK SHELVES

CAT. NO.	W	D	H	WT.	PRICE
BLIB3608A	36	8	13/16	7.5	43.00
BLIB3609A	36	9	13/16	8.3	46.00
BLIB3610A	36	10	13/16	9.0	48.00
BLIB3611A	36	11	13/16	9.8	52.00
BLIB3612A	36	12	13/16	10.8	55.00
BLIB3613A	36	13	13/16	11.5	61.00
BLIB3616A	36	16	13/16	13.8	70.00

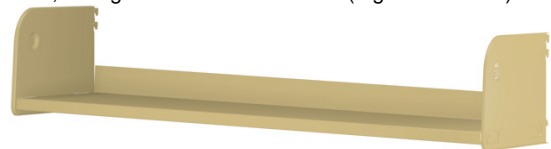
Built-in 2" backstop keeps items organized. Includes brackets and one wire divider per shelf. For 30" shelf, change "BLIB36" to "BLIB30" (e.g. BLIB3016A).



SLOPED INTEGRAL BACK SHELVES

CAT. NO.	W	D	H	WT.	PRICE
SIBS3608A	36	8	13/16	7.4	41.00
SIBS3609A	36	9	13/16	8.1	39.00
SIBS3610A	36	10	13/16	8.8	42.00
SIBS3611A	36	11	13/16	9.6	42.00
SIBS3612A	36	12	13/16	10.4	48.00
SIBS3613A	36	13	13/16	10.9	48.00
SIBS3616A	36	16	13/16	14.8	57.00

Built-in 2" backstop keeps items from falling off sloped shelf. For 30" shelf, change "SIBS36" to "SIBS30" (e.g. SIBS3016A).



MULTIPURPOSE DISPLAY SHELVES

CAT. NO.	TYPE	W	D	H	WT.	PRICE
MP3610A	No Dividers	36	10	8	10.2	57.00
MPD3610A	With Dividers	36	10	8	12.4	69.00

Two-positional shelf allows you to have either a sloping display shelf or (reversed) an integral back shelf. Ideal for displaying video tapes, audio cassettes, easy books, art books, etc. Divider shelves come with 6 dividers.



AS SLOPING DISPLAY SHELF

AS INTEGRAL BACK SHELF

MULTIPURPOSE BASE SHELVES

CAT. NO.	TYPE	W	D	H	WT.	PRICE
SINGLE ENTRY						
MPB3610A	No Dividers	36	10	8	15.6	94.00
MPDB3610A	With Dividers	36	20	8	17.8	106.00
DOUBLE ENTRY						
MPB3620A	No Dividers	36	10	8	38.0	164.00
MPDB3620A	With Dividers	36	20	8	42.0	189.00

Two-positional shelf can be used as either a sloping display shelf or (reversed) an integral back shelf. Divider shelves come with 6 dividers.



SINGLE ENTRY

DOUBLE ENTRY

ACCESSORIES: SPECIALTY SHELVES

ESTEY
DIVISION OF TENNSCO CORP.

STORAGE SHELVES

CAT. NO.	W	D	H	WT.	PRICE
IN3610A	36	10	13/16	6.8	34.00
IN3612A	36	12	13/16	8.0	40.00
IN3613A	36	13	13/16	8.5	46.00
IN3614A	36	14	13/16	9.4	50.00
IN3616A	36	16	13/16	10.4	54.00
IN3618A	36	18	13/16	11.6	71.00
IN3619A	36	19	13/16	12.3	79.00

Used with sloped display shelves (at left on page 16), or any place where a flat shelf is desired. For 30" shelf, change "IN36" to "IN30" (e.g. IN3010A).



SLIDING REFERENCE SHELVES

CAT. NO.	W	D	H	WT.	PRICE
SRS3008A	30	8	3	9.2	162.00
SRS3009A	30	9	3	8.2	139.00
SRS3010A	30	10	3	13.1	159.00
SRS3012A	30	12	3	15.6	147.00
SRS3608A	36	8	3	9.2	162.00
SRS3609A	36	9	3	8.2	139.00
SRS3610A	36	10	3	14.0	159.00
SRS3612A	36	12	3	16.6	147.00

Sturdy full extension slides attach to underside of adjustable shelf. Use two reference shelves for double face units.



FACE-OUT DISPLAY SHELF

CAT. NO.	W	D	H	WT.	PRICE
FODSA	36	2 3/4	5 9/16	6.2	35.00

Used to display compact discs and DVDs.



DOUBLE TIER VIDEO CASSETTE & AUDIO CASSETTE SHELVES

CAT. NO.	W	D	H	WT.	PRICE
VIDEO CASSETTE SHELF					
VCDT3014	30	14	12	20.0	155.00
VCDT3614	36	14	12	20.0	155.00
AUDIO CASSETTE/MICROFILM SHELF					
SPMF30A	30	10	7 1/2	12.1	193.00
SPMF36A	36	10	7 1/2	12.1	193.00

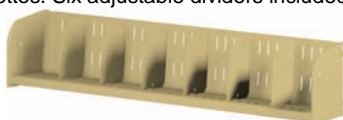
Double Tier Video Cassette Shelf (below, left) is used with compact discs, video cassettes, or paperbacks. Sloped; 36" wide shelf holds 60 videotapes or 160 compact discs. **Audio Cassette Shelf** (below, right) stores microfilm or audio cassettes. Capacity: 100 cassettes (36" wide shelf).



VIDEO CASSETTE/ PAPERBACK BOOK SHELF

CAT. NO.	W	D	H	WT.	PRICE
VCS3007A	30	6	7 1/2	11.5	67.00
VCS3607A	36	6	7 1/2	10.8	67.00
VCS3008A	30	7	7 1/2	10.6	66.00
VCS3608A	36	7	7 1/2	11.5	66.00
DIV07	(DIVIDER ONLY)			0.4	2.10

Slopes to allow convenient viewing of spines on paperbacks and video cassettes. Six adjustable dividers included per shelf.



ZIG-ZAG SHELF

CAT. NO.	W	D	H	WT.	PRICE
ZZ3008A	30	7	5 13/16	10.1	88.00
ZZ3608A	36	7	5 13/16	10.9	88.00
INSERT ONLY					
ZZPD	36	18	5	3.8	54.00

Adjustable shelf with paperback insert. Ideal for displaying audio cassette or paperback books.



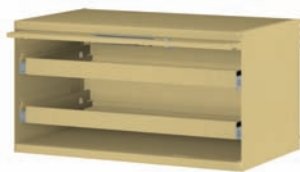
CABINETS

CAT. NO.	W	D	H	WT.	PRICE
CABINET ONLY					
FDCB36L	36	17 ⁵ / ₈	15 ¹ / ₂	53	1,051.00
CABINET WITH 1 PULL-OUT FRAME					
CBFD36LFA	36	17 ⁵ / ₈	15 ¹ / ₂	63	1,604.00
CABINET WITH 2 PULL-OUT FRAMES					
CBFD36L2FA	36	17 ⁵ / ₈	15 ¹ / ₂	73	2,156.00
FRAME ONLY					
FRAME36A	36	16	2	10.1	551.00

All welded construction. Ideal for storing valuable items that need to be secured. Includes flipper door and lock with two keys.



Cabinet Only



Cabinet With 2 Pull-Out Frames

MEDIA HANGER RACK

CAT. NO.	W	D	H	WT.	PRICE
HB30A	30	6 ¹ / ₂	4 ¹ / ₄	2.1	63.00
HB36A	36	6 ¹ / ₂	4 ¹ / ₄	2.1	63.00

Consists of brackets with hanger rod for clear-view plastic media bags.



WORK SHELF AND BRACKETS

CAT. NO.	W	D	H	WT.	PRICE
LC54A	36	24	27 ¹ / ₂	30.0	761.00
LCL (Legs Only, Per Pair)				3.0	83.00
LCBRK24L (Left Bracket Only)				3.6	89.00
LCBRK24R (Right Bracket Only)				3.6	89.00

24" deep plastic shelf supported by two steel triangular brackets for work surface within shelving range. Must state desired finish of work shelf.



WORK SHELF AND BRACKETS

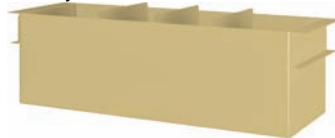


LEGS

METAL TRAYS

CAT. NO.	W	D	H	WT.	PRICE
FOR COMPACT DISCS					
TRCD514A	5 ¹ / ₁₆	14 ³ / ₈	4 ¹ / ₂	4.4	318.00
CDD-1 (Divider Only)				0.2	20.00
FOR AUDIOCASSETTES					
TRAC414A	4 ⁷ / ₁₆	14 ³ / ₈	3 ¹ / ₈	3.3	345.00
ACD-1 (Divider Only)				0.2	31.00
FOR VHS TAPES					
TRVHS714A	7 ⁵ / ₈	14 ³ / ₈	3 ¹ / ₈	5.1	305.00
VHSD-1 (Divider Only)				0.3	23.00
FOR 3x5 CARDS					
TRCRD3X5A	5 ³ / ₁₆	14 ³ / ₈	3 ¹ / ₈	3.9	402.00
CRDD-1 (Divider Only)				0.2	50.00

Handy metal trays store a wide variety of media. Use alone or in conjunction with Estey cabinets.



METAL BROWSING BOX

CAT. NO.	W	D	H	WT.	PRICE
BRB3005A	30	14 ¹ / ₂	5 ¹ / ₂	13.5	193.00
BRB3605A	36	14 ¹ / ₂	5 ¹ / ₂	15.3	193.00
BRBWD (Divider Only)				0.1	6.60

Ideal for storing all media items. Includes 2 wire dividers.



BROWSING BOX

DIVIDER

PULL-OUT BROWSING BOX

CAT. NO.	W	D	H	WT.	PRICE
WITH SLIDING DIVIDER					
XBRB43611A	36	11 ¹ / ₂	5 ¹ / ₂	29	388.00
TXBWD (Divider Only)				0.3	7.60
WITH PLATE-TYPE DIVIDER and 3" FRONT					
XHDBRB3611A	36	11 ¹ / ₂	5 ¹ / ₂	29	515.00
BRBDIVA (Divider Only)				0.4	3.70

A pull out browsing box mounted on full-extension ball-bearing suspensions. Ideal for storing all media items. XBRB3611A includes 2 wire dividers; XDBRB3611A includes 4 plate-type dividers.



XBRB43611A

XHDBRB3611A

NOTE: The original XBRB3611A, with full-height front, is still available for a list price of \$515.00 and a weight of 30 lbs. Contact factory for further details.

SPECIALTY SHELVES, BRACING, LABELING ACCESSORIES

ESTEY
DIVISION OF TENNSCO CORP.

NEWSPAPER RACK

CAT. NO.	DESC.	W	D	H	WT.	PRICE
NPR6	6 Holders	36	12	14	9.6	719.00
NPR10	10 Holders	36	12	22	15.2	1,061.00

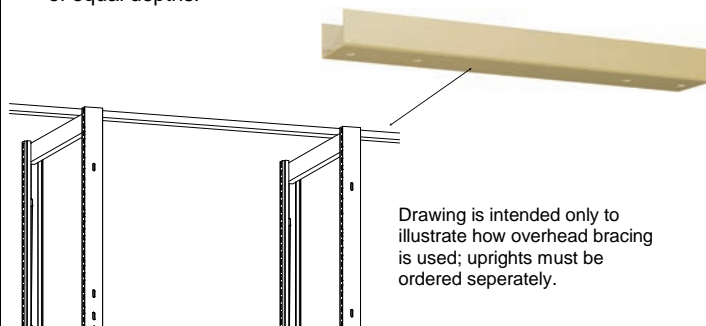
Displays newspapers. Newspaper sticks included.



TRANSVERSE OVERHEAD TOP TIE BRACING

CAT. NO.	W	D	H	WT.	PRICE
FOR WELD FRAME					
OTBW9	96	2	7/8	5.7	29.00

Channel construction top tie furnished in 8 foot lengths. Recommended for added stabilization when bases and shelves are of equal depths.



Drawing is intended only to illustrate how overhead bracing is used; uprights must be ordered separately.

WALL HUNG COLUMNS

CAT. NO.	W	D	H	WT.	PRICE
PILWCH24	1 1/2	1	24	2.4	33.00
PILWCH30	1 1/2	1	30	2.4	35.00
PILWCH42	1 1/2	1	42	3.1	41.00
PILWCH54	1 1/2	1	54	3.8	45.00
PILWCH60	1 1/2	1	60	3.8	46.00
PILWCH66	1 1/2	1	66	3.8	48.00
PILWCH72	1 1/2	1	72	4.5	49.00
PILWCH78	1 1/2	1	78	4.5	51.00
PILWCH84	1 1/2	1	84	4.8	52.00
PILWCH90	1 1/2	1	90	5.2	54.00

Slotted strip attaches to wall. Designed to accept all components or accessory items. Special heights available. Hardware not included because of various wall construction.



SHELF LABEL HOLDER

CAT. NO.	W	D	H	WT.	PRICE
SLH	5 1/2	—	3 3/4	0.1	.84

Plastic clip-on holder for 5/8" x 5" card.



WALL CLIP

CAT. NO.	W	D	H	WT.	PRICE
WCLIP	3	2	1	0.2	.99

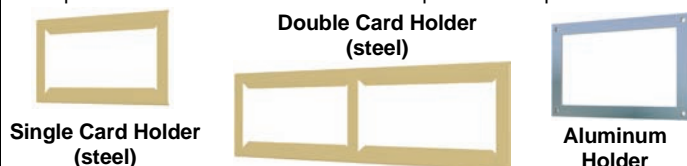
Used to attach single face units to the wall for support.



CARD HOLDERS

CAT. NO.	W	D	H	WT.	PRICE
SINGLE CARD HOLDER					
SCH-B	5 1/4	—	3 1/8	0.1	2.50
DOUBLE CARD HOLDER					
DCH-B	10 1/4	—	3 1/8	0.2	4.20
ALUMINUM HOLDER					
SCH-CA	5 5/8	—	3 1/2	0.1	2.80

For 3" x 5" cards. Used on end panels. Attaches with double-sided tape. Steel holders are finished in black powder coat paint.



Single Card Holder
(steel)

Double Card Holder
(steel)

Aluminum
Holder

RANGE FINDER

CAT. NO.	W	D	H	WT.	PRICE
RFP6	—	6 3/4	3 1/8	0.2	4.50

For use on end panels or uprights for identification of range contents. Attaches with double-sided tape. Holds two 3" x 5" cards. Finished in black.



STEEL BOOK SUPPORTS

CAT. NO.	W	D	H	WT.	PRICE
WITH CORK BACKING					
BSN6	4 ⁹ / ₁₆	5 ¹ / ₂	6	0.6	5.40
BSN9	4 ⁹ / ₁₆	5 ¹ / ₂	9	1.1	6.60
WITH MAGNETIC STRIP					
BSM6	4 ⁹ / ₁₆	5 ¹ / ₂	6	1.0	5.40
BSM9	4 ⁹ / ₁₆	5 ¹ / ₂	9	1.1	6.60

Unattached book support used on surface of shelves. Furnished with cork backing or a magnetic strip, as specified above.



HOOK-ON STEEL BOOK SUPPORT

CAT. NO.	W	D	H	WT.	PRICE
LOBS6	4 ⁹ / ₁₆	1 ³ / ₄	6	0.6	7.30
LOBS9	4 ⁹ / ₁₆	1 ³ / ₄	9	1.2	8.30

Hooks onto return flange of adjustable shelves for rigid support.



SHELF FILLER

CAT. NO.	W	D	H	WT.	PRICE
SHFIL30	27	2 ⁵ / ₈	1	2.3	27.00
SHFIL36	33	2 ⁵ / ₈	1	2.6	27.00

Fills the space between adjustable shelves on double sided units, providing a continuous surface. Attaches with two clips that fasten to underside of shelves.



WIRE BOOK SUPPORTS

CAT. NO.	TYPE	W	D	H	WT.	PRICE
WBS6	"V"	3 ³ / ₁₆	—	6	0.2	2.70
WBS9	"V"	3 ³ / ₁₆	—	9	0.3	3.40
WBSW7	"W"	3 ³ / ₁₆	—	7	0.3	3.20
WBSW9	"W"	3 ³ / ₁₆	—	9	0.4	3.90

Heavy spring wire book support. Rubber tipped to prevent slippage. Attaches to underside of shelf. Easily adjustable.

6-INCH "V" SUPPORT



9-INCH "V" SUPPORT



7-INCH "W" SUPPORT



9-INCH "W" SUPPORT



NOTE: Dividers are shown attached to shelves for clarification purposes only; shelves must be ordered separately.

SLOPED ADJUSTABLE END BRACKET

CAT. NO.	W	D	H	WT.	PRICE
SASBRK08LJ*	1/4	8	7 ¹ / ₂	1.1	8.20
SASBRK09LJ*	1/4	9	7 ¹ / ₂	1.2	6.20
SASBRK10LJ*	1/4	10	7 ¹ / ₂	1.3	7.10
SASBRK11LJ*	1/4	11	7 ¹ / ₂	1.5	9.30
SASBRK12LJ*	1/4	12	7 ¹ / ₂	1.6	7.90
SASBRK13LJ*	1/4	13	7 ¹ / ₂	1.7	10.30
SASBRK14LJ*	1/4	14	7 ¹ / ₂	1.9	10.80

Creates 7 degrees of slope for an adjustable shelf. ***NOTE:** Listed catalog numbers are for left bracket only; for right bracket, change the suffix "LJ" to "RJ".



LEFT BRACKET



RIGHT BRACKET

ACCESSORIES: BACKSTOPS, BASE FILLERS, ANCHORS

ESTEY
DIVISION OF TENNSCO CORP.

BASE FILLER CLOSURES

CAT. NO.	W	D	H	WT.	PRICE
FOR WELD FRAME					
BFC30	30	2 ³ / ₄	1	2.0	8.10
BFC36	36	2 ³ / ₄	1	1.6	8.10

Use to fill space between uprights when an adjustable base is used.



CAT. NO.	W	D	H	WT.	PRICE
FOR MOBILE CARRIAGE					
BCC30	30	2 ¹ / ₂	1 ³ / ₄	2.1	25.00
BCC36	36	2 ¹ / ₂	1 ³ / ₄	2.5	25.00

Use to fill space between uprights when adjustable shelves are used on bottom of unit.



OFFSET CENTER BACKSTOP —LARGE PROFILE

CAT. NO.	W	D	H	WT.	PRICE
CBS30	30	3/8	3 ⁹ / ₃₂	1.7	21.00
CBS36	36	3/8	3 ⁹ / ₃₂	2.1	21.00

Works as a backstop for each side of a double entry unit, eliminating the need for an individual backstop for each side.



OFFSET CENTER BACKSTOP —SMALL PROFILE

CAT. NO.	W	D	H	WT.	PRICE
CBSS30	30	7/16	2	1.4	9.20
CBSS36	36	7/16	2	1.6	9.20

Works as a backstop for each side of a double entry unit, eliminating the need for an individual backstop for each side.



ADJUSTABLE BACKSTOP

CAT. NO.	W	D	H	WT.	PRICE
ABS36	36	7/16	2	1.5	12.90

Individual backstop designed to engage in upright slots for adjustability.



REVERSIBLE BACKSTOP & WIRE DIVIDER

CAT. NO.	W	D	H	WT.	PRICE
BACK STOP					
RBS30	30	7/16	2	1.2	7.20
RBS36	36	7/16	2	1.3	7.20
WIRE DIVIDER					
BSWBS	—	8 ¹ / ₂	4	0.2	3.10

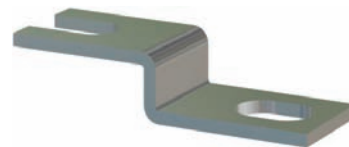
One side is a regular backstop. The other side is a sliding support backstop (when used with wire divider sold above).



FLOOR ANCHOR

CAT. NO.	W	D	H	WT.	PRICE
FLRANCH3	1	3	5/8	0.1	1.90

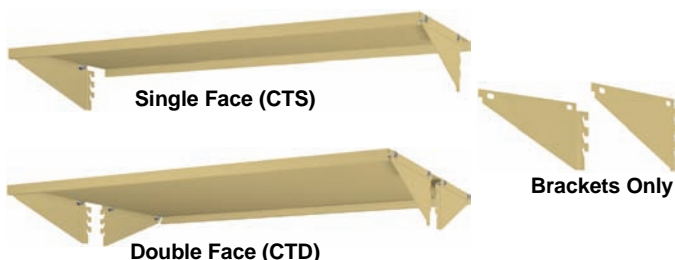
Used to anchor weld frame units to the floor. For use with weld frame base brackets only. Zinc plated.



CANOPY TOPS & ACCESSORIES

STEEL CANOPY TOPS

CAT. NO.	W	D	H	WT.	PRICE
SINGLE FACE					
CTS3008	30	8	—	5.2	44.00
CTS3009	30	9	—	5.6	46.00
CTS3010	30	10	—	6.3	38.00
CTS3012	30	12	—	7.2	42.00
CTS3013	30	13	—	7.6	55.00
CTS3016	30	16	—	9.1	60.00
CTS3608	36	8	—	6.1	44.00
CTS3609	36	9	—	6.5	46.00
CTS3610	36	10	—	7.3	38.00
CTS3612	36	12	—	8.1	42.00
CTS3613	36	13	—	8.8	55.00
CTS3616	36	16	—	11.0	60.00
DOUBLE FACE					
CTD3016	30	16	—	9.0	67.00
CTD3018	30	18	—	9.7	79.00
CTD3020	30	20	—	11.1	62.00
CTD3024	30	24	—	12.7	72.00
CTD3026	30	26	—	13.6	94.00
CTD3032	30	32	—	16.7	112.00
CTD3616	36	16	—	10.5	67.00
CTD3618	36	18	—	11.3	79.00
CTD3620	36	20	—	12.8	62.00
CTD3624	36	24	—	14.8	72.00
CTD3626	36	26	—	15.7	94.00
CTD3632	36	32	—	19.3	112.00
BRACKETS ONLY *					
CTB08S (1 pair)	—	8	—	1.0	13.30
CTB09S (1 pair)	—	9	—	1.0	13.30
CTB10S (1 pair)	—	10	—	1.3	7.50
CTB12S (1 pair)	—	12	—	1.4	8.30
CTB13S (1 pair)	—	13	—	1.4	14.90
CTB16S (1 pair)	—	16	—	1.8	16.50

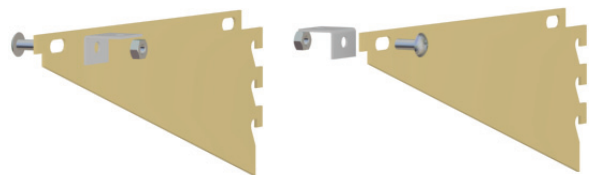


Keeps dust off your valuable materials. Includes attaching brackets.
* Attaching bracket is also used to secure steel end panels (see page 24). Each pair consists of one left and one right bracket.

CANOPY BRACKETS FOR WOOD TOPS

CAT. NO.	W	D	H	WT.	PRICE
CTIB08S (1 pair)	8	—	—	1.0	9.10
CTIB09S (1 pair)	9	—	—	1.0	11.50
CTIB10S (1 pair)	10	—	—	1.2	8.90
CTIB12S (1 pair)	12	—	—	1.4	11.50
CTIB13S (1 pair)	13	—	—	1.4	13.50
CTIB16S (1 pair)	16	—	—	1.8	16.50
CTIB18S (1 pair)	18	—	—	2.0	22.00

Used when wood or hard plastic canopy tops are used. For single face units, use 1 pair. For double face units, use 2 pairs. Each pair consists of one left and one right bracket and hardware. Wood top not



CANOPY SIGNAGE

CAT. NO.	W	D	H	WT.	PRICE
CPSGN36	35 ¹ / ₄	—	1 ³ / ₄	1.5	111.00

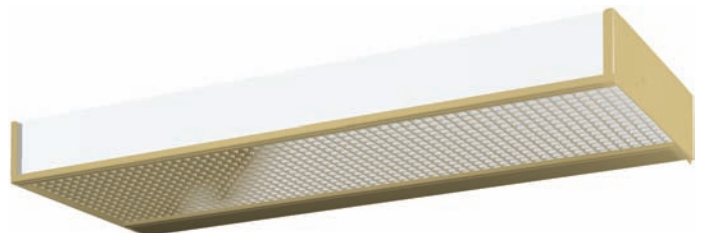
Easily identify special items or sections with this customizable label holder. Three attachment clips provided.



LIGHTING

CAT. NO.	W	D	H	WT.	PRICE
ESTLIGHT36	36	14	3 ⁵ / ₈	24.0	603.00

Place anywhere more light is needed for display or referencing. Includes: two F25T8 cool white bulbs and acrylic lens in front for signage. Available in all standard colors.



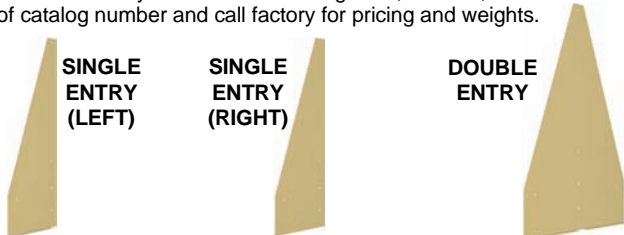
GUSSETTS AND FILLERS

ESTEY
DIVISION OF TENNSCO CORP.

FIXED BASE/ADJUSTABLE BASE REINFORCING GUSSETS

CAT. NO.	W	D	H	WT.	PRICE
SINGLE FACE					
GS08-1AL (left)	1/16	8	39 ^{7/8}	5.0	48.00
GS08-1AR (right)	1/16	8	39 ^{7/8}	5.0	48.00
GS09-1AL (left)	1/16	9	39 ^{7/8}	5.4	52.00
GS09-1AR (right)	1/16	9	39 ^{7/8}	5.4	52.00
GS10-1AL (left)	1/16	10	39 ^{7/8}	5.4	55.00
GS10-1AR (right)	1/16	10	39 ^{7/8}	5.4	55.00
GS12-1AL (left)	1/16	12	39 ^{7/8}	6.2	59.00
GS12-1AR (right)	1/16	12	39 ^{7/8}	6.2	59.00
GS13-1AL (left)	1/16	13	39 ^{7/8}	9.1	62.00
GS13-1AR (right)	1/16	13	39 ^{7/8}	9.1	62.00
GS16-1AL (left)	1/16	16	39 ^{7/8}	7.8	71.00
GS16-1AR (right)	1/16	16	39 ^{7/8}	7.8	71.00
DOUBLE FACE					
GD08-1A	1/16	16	39 ^{7/8}	8.2	59.00
GD09-1A	1/16	18	39 ^{7/8}	6.6	63.00
GD10-1A	1/16	20	39 ^{7/8}	8.8	70.00
GD12-1A	1/16	24	39 ^{7/8}	10.1	81.00
GD13-1A	1/16	26	39 ^{7/8}	13.6	87.00
GD16-1A	1/16	32	39 ^{7/8}	13.9	109.00

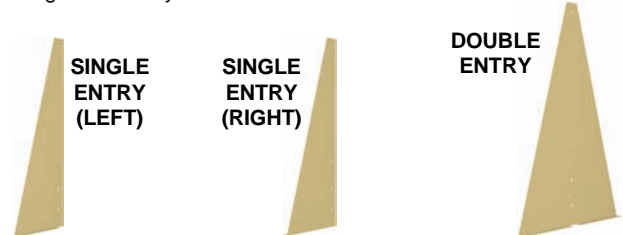
Used when *fixed base* shelving units are to be mounted on mobile carriage bases or when additional stabilization is required. Also available for *adjustable base* shelving units; to order, add "J" to end of catalog number and call factory for pricing and weights.



ADJUSTABLE SHELF REINFORCING GUSSETS

CAT. NO.	W	D	H	WT.	PRICE
SINGLE FACE					
GS08CAL (left)	1/16	8	39 ^{7/8}	3.8	48.00
GS08CAR (right)	1/16	8	39 ^{7/8}	3.8	48.00
GS09CAL (left)	1/16	9	39 ^{7/8}	4.3	51.00
GS09CAR (right)	1/16	9	39 ^{7/8}	4.3	51.00
GS10CAL (left)	1/16	10	39 ^{7/8}	4.5	54.00
GS10CAR (right)	1/16	10	39 ^{7/8}	4.5	54.00
GS12CAL (left)	1/16	12	39 ^{7/8}	5.1	59.00
GS12CAR (right)	1/16	12	39 ^{7/8}	5.1	59.00
GS13CAL (left)	1/16	13	39 ^{7/8}	5.8	62.00
GS13CAR (right)	1/16	13	39 ^{7/8}	5.8	62.00
GS16CAL (left)	1/16	16	39 ^{7/8}	6.4	71.00
GS16CAR (right)	1/16	16	39 ^{7/8}	6.4	71.00
DOUBLE FACE					
GD08CA	1/16	16	39 ^{7/8}	6.1	59.00
GD09CA	1/16	18	39 ^{7/8}	7.4	63.00
GD10CA	1/16	20	39 ^{7/8}	8.3	70.00
GD12CA	1/16	24	39 ^{7/8}	8.7	82.00
GD13CA	1/16	26	39 ^{7/8}	10.1	89.00
GD16CA	1/16	32	39 ^{7/8}	11.2	104.00

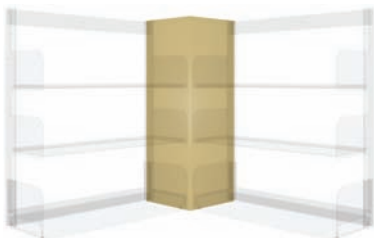
Used when *adjustable shelves* (in lieu of a base shelf and base bracket) are used as a base and are to be mounted on mobile carriage tracks only.



CORNER FILLERS

CAT. NO.	HEIGHTS	DEPTHS	WT.	PRICE
SCF <hhdd< h="">A</hhdd<>	42" to 93"	8" to 32"	Call Factory	

Used to make a corner for units placed at right angles to each other. Available in all heights and depths. Specify height and depth (*hhdd*) when ordering. Over 93" high contact factory.



INTERMEDIATE WALL FILLERS

CAT. NO.	HEIGHTS	DEPTHS	WT.	PRICE
DCF <hhdd< h="">A</hhdd<>	42" to 93"	8" to 32"	Call Factory	

Used to fill a void where two single faced units are joined at a right angle with a double faced unit. Available for all base shelf depths and frame heights. Specify height and depth (*hhdd*) when ordering. Over 93" high contact factory.



**END PANELS—
SINGLE FACE**



CAT. NO.	BASE DEPTH	HEIGHT	WT.	PRICE
WSP4208A	8	42	11.0	109.00
WSP4209A	9	42	11.5	111.00
WSP4210A	10	42	12.0	120.00
WSP4212A	12	42	13.1	125.00
WSP4213A	13	42	13.6	127.00
WSP4216A	16	42	15.2	135.00
WSP6608A	8	66	21.0	139.00
WSP6609A	9	66	22.0	150.00
WSP6610A	10	66	23.0	151.00
WSP6612A	12	66	25.0	155.00
WSP6613A	13	66	26.0	159.00
WSP6616A	16	66	28.0	170.00
WSP7808A	8	78	20.0	152.00
WSP7809A	9	78	21.0	157.00
WSP7810A	10	78	22.0	165.00
WSP7812A	12	78	24.0	173.00
WSP7813A	13	78	25.0	178.00
WSP7816A	16	78	28.0	192.00
WSP8408A	8	84	22.0	159.00
WSP8409A	9	84	23.0	164.00
WSP8410A	10	84	24.0	172.00
WSP8412A	12	84	26.0	180.00
WSP8413A	13	84	27.0	185.00
WSP8416A	16	84	30.0	192.00
WSP9008A	8	90	23.0	168.00
WSP9009A	9	90	24.0	172.00
WSP9010A	10	90	25.0	180.00
WSP9012A	12	90	28.0	190.00
WSP9013A	13	90	29.0	195.00
WSP9016A	16	90	32.0	200.00
WSP9308A	8	93	29.0	198.00
WSP9309A	9	93	30.0	204.00
WSP9310A	10	93	31.0	210.00
WSP9312A	12	93	34.0	221.00
WSP9313A	13	93	35.0	227.00
WSP9316A	16	93	39.0	243.00

Optional attaching brackets available for added stability; see page 22.

**END PANELS—
DOUBLE FACE**



CAT. NO.	BASE DEPTH	HEIGHT	WT.	PRICE
WDP4216A	16	42	14.7	183.00
WDP4218A	18	42	15.6	188.00
WDP4220A	20	42	16.8	194.00
WDP4224A	24	42	18.9	198.00
WDP4226A	26	42	20.0	211.00
WDP4232A	32	42	23.0	227.00
WDP6616A	16	66	23.0	233.00
WDP6618A	18	66	24.0	241.00
WDP6620A	20	66	26.0	249.00
WDP6624A	24	66	29.0	261.00
WDP6626A	26	66	31.0	274.00
WDP6632A	32	66	36.0	298.00
WDP7816A	16	78	37.0	255.00
WDP7818A	18	78	40.0	264.00
WDP7820A	20	78	43.0	274.00
WDP7824A	24	78	48.0	280.00
WDP7826A	26	78	50.0	303.00
WDP7832A	32	78	60.0	330.00
WDP8416A	16	84	29.0	269.00
WDP8418A	18	84	31.0	279.00
WDP8420A	20	84	33.0	289.00
WDP8424A	24	84	37.0	296.00
WDP8426A	26	84	39.0	320.00
WDP8432A	32	84	45.0	350.00
WDP9016A	16	90	31.0	278.00
WDP9018A	18	90	33.0	289.00
WDP9020A	20	90	34.0	291.00
WDP9024A	24	90	52.0	309.00
WDP9026A	26	90	42.0	333.00
WDP9032A	32	90	48.0	364.00
WDP9316A	16	93	47.0	281.00
WDP9318A	18	93	50.0	291.00
WDP9320A	20	93	36.0	302.00
WDP9324A	24	93	41.0	324.00
WDP9326A	26	93	60.0	334.00
WDP9332A	32	93	68.0	365.00

Optional attaching brackets available for added stability; see page 22.

STEEL BACKS



24" wide backs are also available. Please contact factory for pricing and weights.

CAT. NO.	W	D	H	WT.	PRICE
WNB3042A	30	1	42	18	147.00
WNB3066A	30	1	66	30	224.00
WNB3078A	30	1	78	36	255.00
WNB3084A	30	1	84	39	270.00
WNB3090A	30	1	90	42	285.00
WNB3642A	36	1	42	21	147.00
WNB3666A	36	1	66	35	224.00
WNB3678A	36	1	78	42	255.00
WNB3684A	36	1	84	46	270.00
WNB3690A	36	1	90	49	285.00